



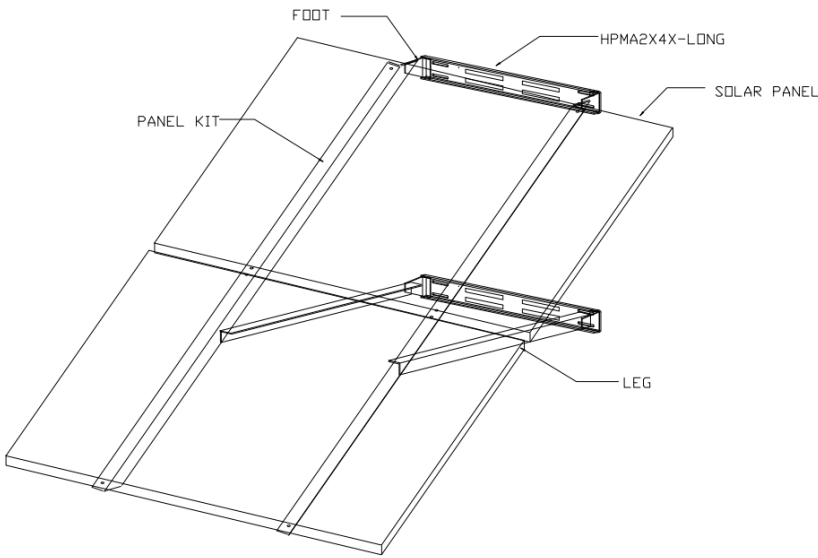
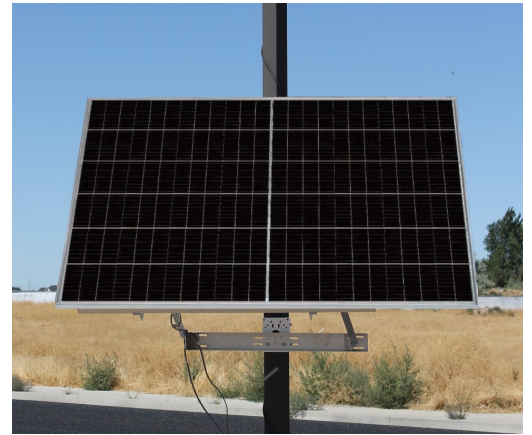
iBEAM Solar Panel Mounting Bracket

AUTONOMOUS SOLAR POWER FOR iBEAM CAMERAS

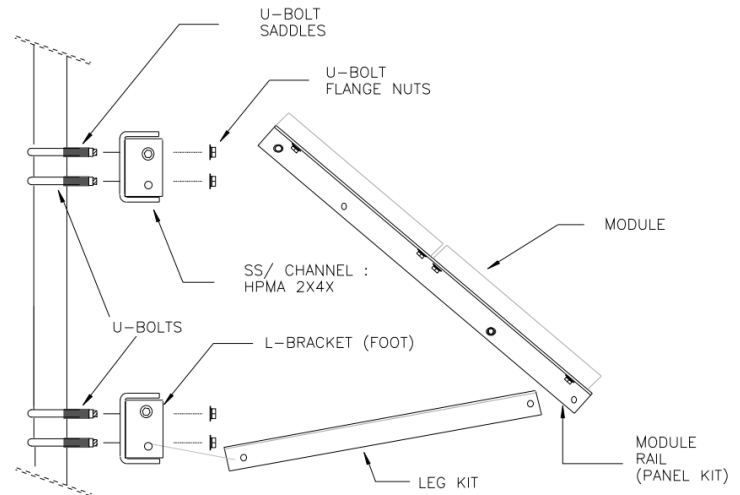
Use the following installation instructions and diagrams for your iBEAM Solar Panel Mounting Bracket.

For additional questions not specifically covered in the installation guide or diagrams, please contact our Support Team:

support@ibeamsystems.com or 800.403.0688



Front facing view of iBEAM Solar Panel Mounting Bracket.

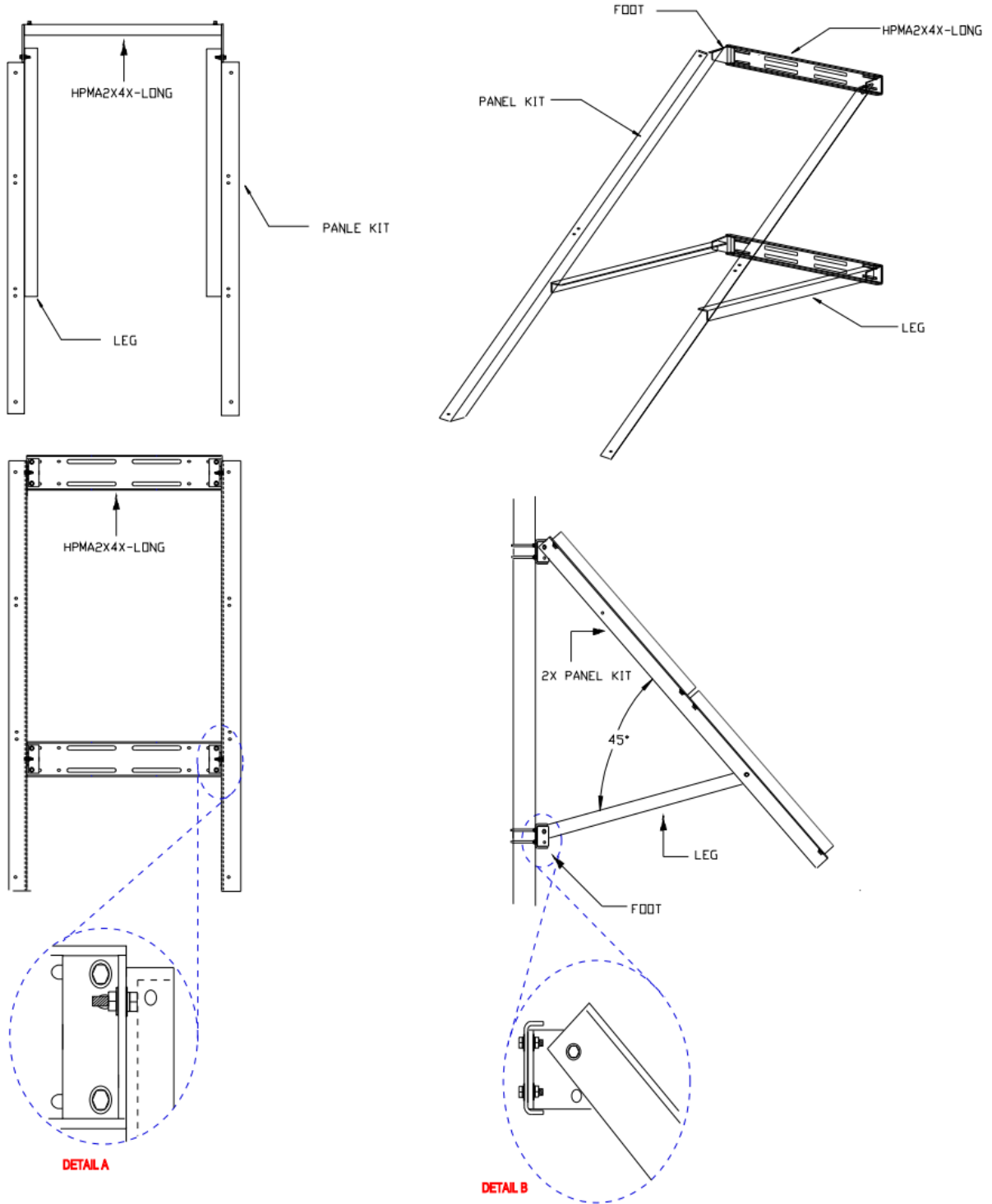


Side view of iBEAM Solar Panel Mounting Bracket.



iBEAM CONSTRUCTION CAMERAS

Connecting you to your projects



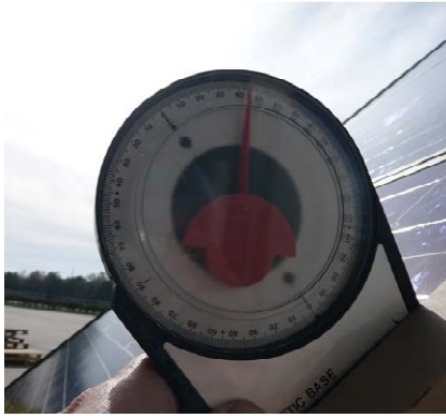
800.403.0688

www.ibeamsystems.com

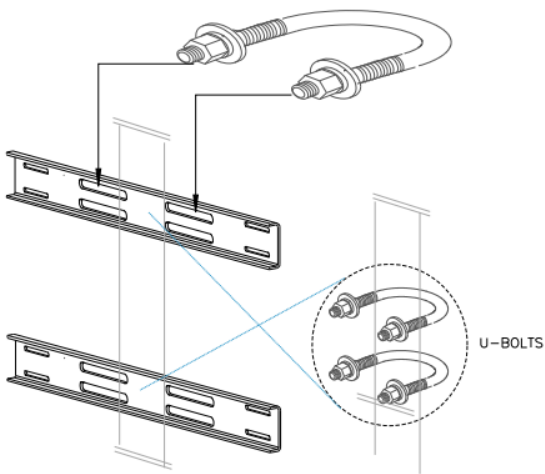
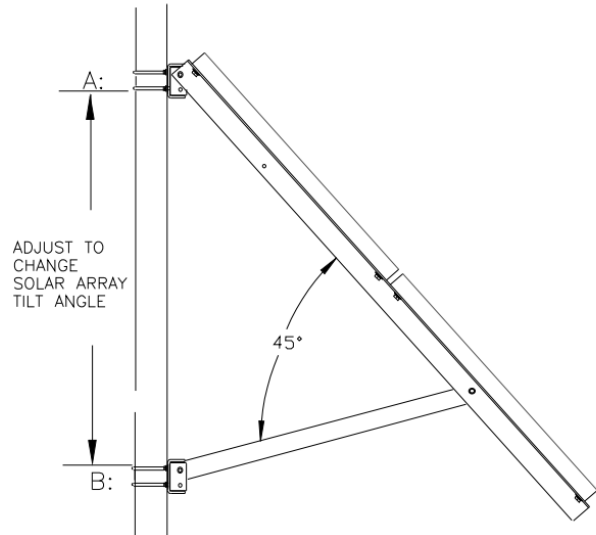


iBEAM CONSTRUCTION CAMERAS

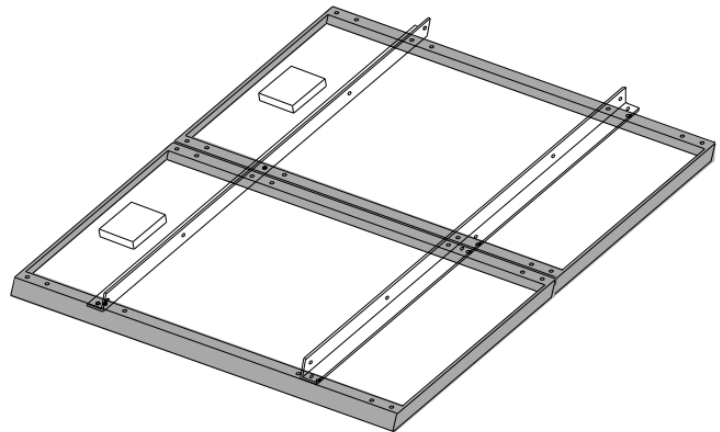
Connecting you to your projects



Tilt Angle: 45°

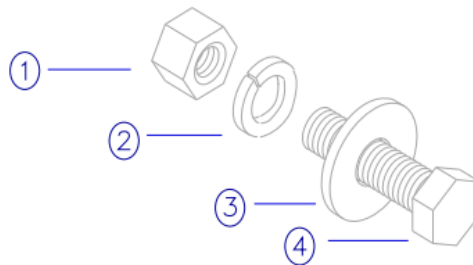


Attach cross brackets (HPMA2X4X) to pole using U-bolts:



Upper side of pole: HPM2X4X-LONG

- Attach panel kit to back of solar modules



Hardware (expanded view):

1. 316 SS Nut
2. 316 SS LW
3. 316 SS FW
4. 316 SS Bolt

800.403.0688

www.ibeamsystems.com



iBEAM CONSTRUCTION CAMERAS

Connecting you to your projects



Attach panel kit to foot (HPMA2X4X-LONG).



LOWER SIDE OF POLE:
Attach foot to HPMA2X4X-.



Attach leg to foot.



Attach leg to panel kit.

800.403.0688

www.ibeamsystems.com