

**iBEAM[®] OnSite™ Construction Camera
with Cellular Communication Package**
INSTALLATION INSTRUCTIONS

Getting Started

Remove all components from shipping box.
Loosen screws and open camera enclosure.
Remove packing material. (Save packing material for camera storage or return shipping.)
Close camera enclosure and tighten screws.

Install the Camera

Attach camera enclosure to mounting surface.

Pole:

- Strap camera bracket to pole (see detail below) and attach lower two 3/8" bolts.
- Align and slide the camera enclosure's lower keyhole slots on 3/8" bolt heads.
- Thread two 3/8" bolts through upper holes on camera enclosure and mounting bracket.

Wall:

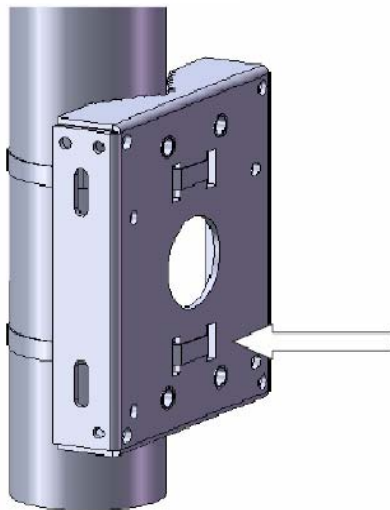
- Attach camera enclosure directly to wall using lag bolts (not included).

Plug the camera enclosure into 120V AC power.

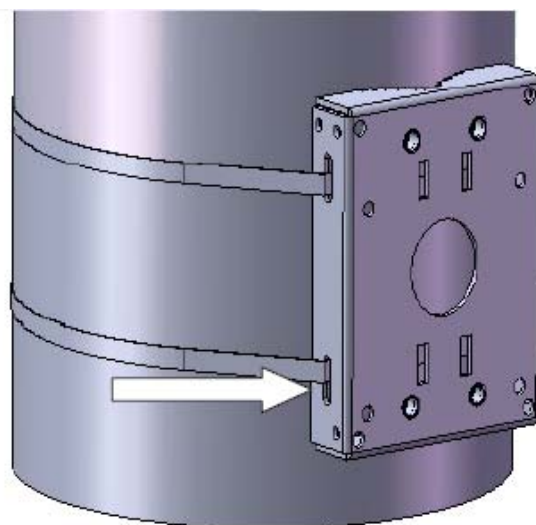
**Call the iBEAM Support Team at 1.800.403.0688 to verify installation
and to set your camera views.**

CAMERA BRACKET DETAIL

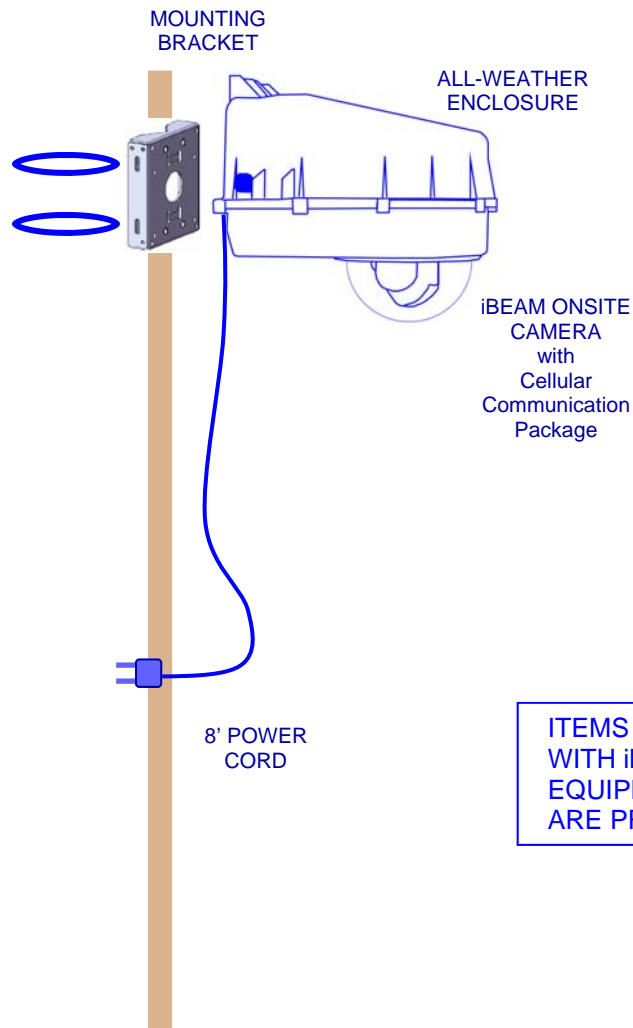
FOR SMALLER DIAMETER POLES



FOR LARGER DIAMETER POLES



**iBEAM[®] OnSite™ Construction Camera
with Cellular Communication Package**
INSTALLATION DIAGRAM



ITEMS IN **BLUE** ARE INCLUDED WITH iBEAM ONSITE CAMERA EQUIPMENT. ALL OTHER ITEMS ARE PROVIDED BY CUSTOMER.