

**iBEAM[®] OnSite™ Construction Camera
with Long-Range Wireless Bridge**
INSTALLATION INSTRUCTIONS

Getting Started

Remove all components from shipping box.
Loosen screws and open camera enclosure.
Remove packing material. (Save packing material for camera storage or return shipping.)
Close camera enclosure and tighten screws.

Install the Camera and Camera-Side Antenna

Attach camera enclosure and camera-side bridge antenna to mounting surface.

Pole:

- Strap camera bracket to pole (see detail below) and attach lower two 3/8" bolts.
- Align and slide the camera enclosure's lower keyhole slots on 3/8" bolt heads.
- Thread two 3/8" bolts through upper holes on camera enclosure and mounting bracket.

Wall:

- Attach camera enclosure directly to wall using lag bolts (not included).

Connect the power network cable from camera enclosure to camera-side bridge antenna.
Plug power cord into 120V AC power.

Install the Network-Side Antenna

Attach network-side bridge antenna to mounting surface.
Connect antenna to modem and power using the POE adapter as shown on other side.

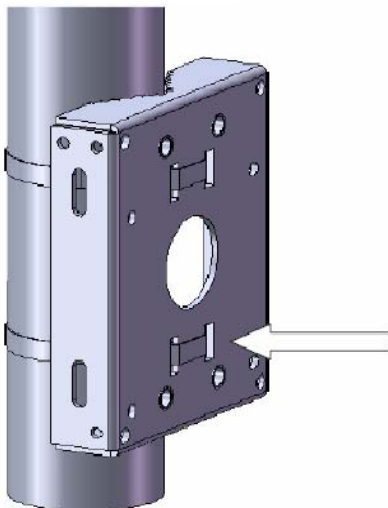
Configure your Network

Your network must be configured to allow outside traffic to the camera. The most common method for this is to use port forwarding on your network's router to forward all outside requests on port 80 to the camera's network IP address. See other side for the camera's network IP addresses.

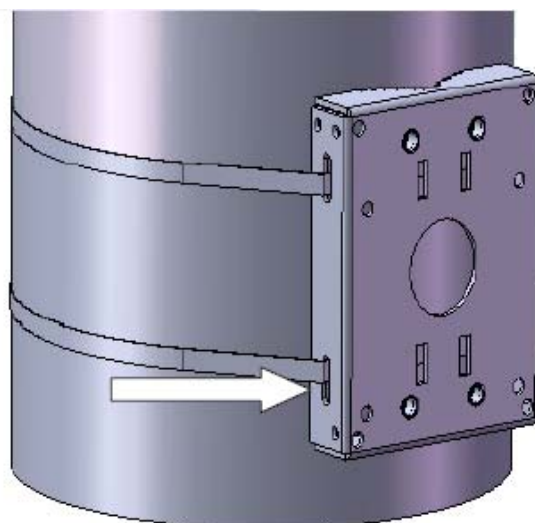
**Call the iBEAM Support Team at 1.800.403.0688 to verify installation
and to set your camera views.**

CAMERA BRACKET DETAIL

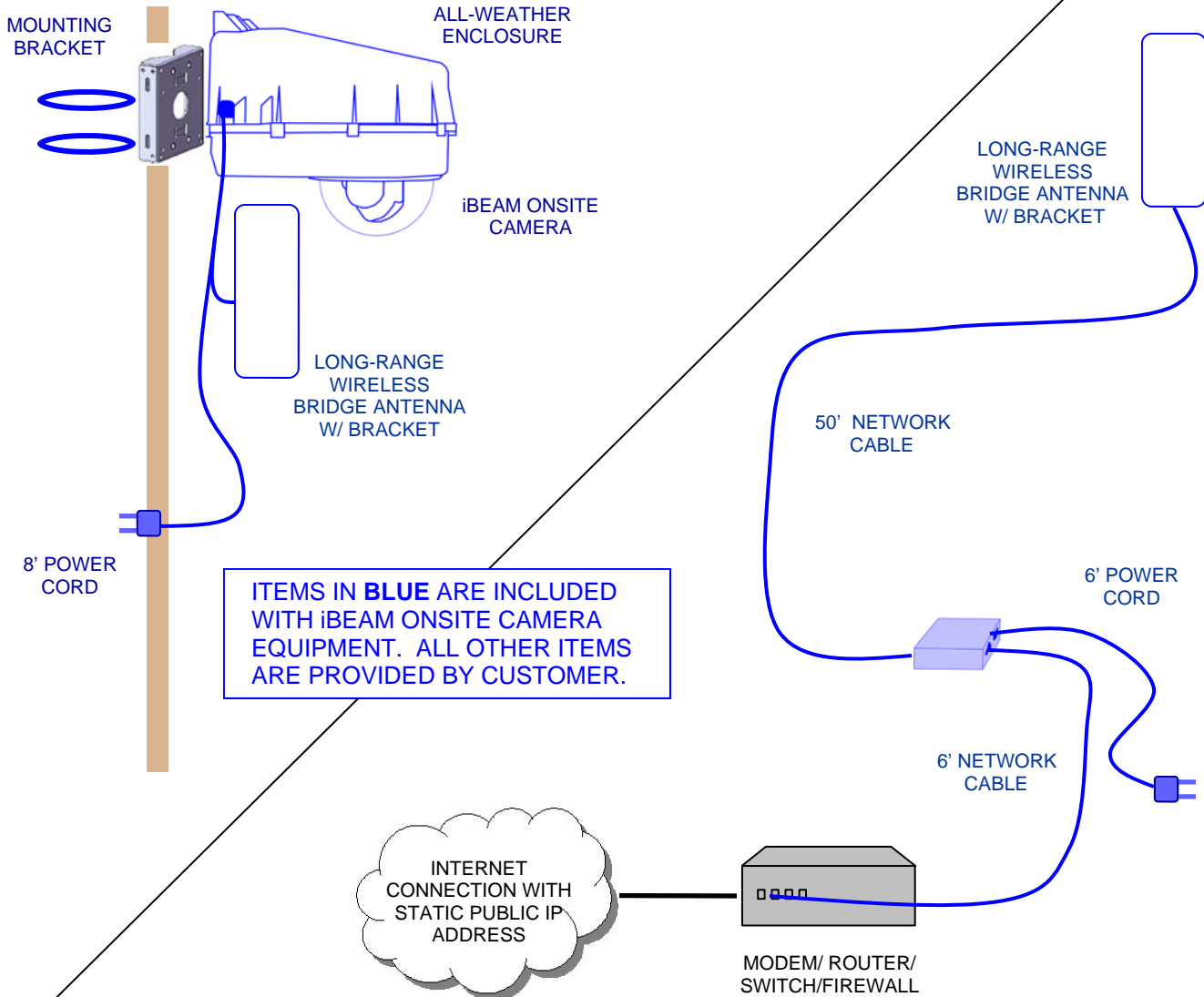
FOR SMALLER DIAMETER POLES



FOR LARGER DIAMETER POLES



**iBEAM® OnSite™ Construction Camera
With Long-Range Wireless Bridge**
INSTALLATION DIAGRAM



Your iBEAM OnSite Construction Camera system has been programmed with the IP addresses you provided:
 OnSite Camera: _____ Wireless Bridge (camera side): _____

 Wireless Bridge (camera side): _____

Your network administrator must configure your router to allow access to the camera at the IP address above.

**YOUR NETWORK MAY VARY. CONSULT YOUR NETWORK ADMINISTRATOR.