

iBEAM[®] Time-Lapse Pro[™] Installation Guide

BEFORE YOU BEGIN

READ THESE INSTRUCTIONS: Installation steps must be completed in the order indicated.

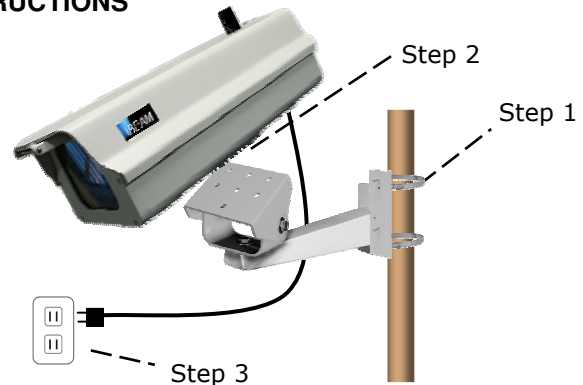
TEST THE CAMERA ON THE GROUND: Remove the camera from the shipping carton and plug into power. Allow 5 minutes for the camera to log into iBEAM's servers, then check your setup web page to confirm the camera is uploading photos. If the camera does not upload photos, contact iBEAM for troubleshooting assistance.

TOOLS YOU WILL NEED: 7/16", 1/2" and 9/16" wrenches; 5/16" nut drive and/or flat head screw driver

INSTALLATION INSTRUCTIONS

1 INSTALL THE CAMERA

1. Attach the camera arm to the mounting surface (pole or wall) using the supplied hardware.
2. Attach camera enclosure to the camera arm.
3. Plug the camera into power.



2 POINT THE CAMERA

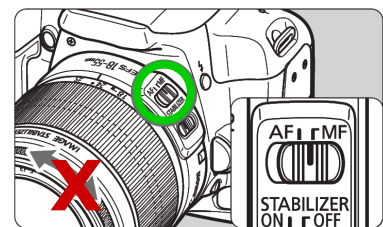


Using the photo on your setup web page as a reference, point the camera to the desired view. You can zoom the camera by rotating the lens ring. This photo updates every 60 seconds.

Your setup web page is: www.ibeamsystems.com/private/

3 LOCK THE FOCUS

1. Unlatch and open the camera enclosure.
2. Move the AF | MF switch (on the side of the lens) from **AF** to **MF**.
3. Look at your setup web page to verify the camera is properly focused.
4. When you are satisfied with the focus, close and latch the camera enclosure.



Skipping this step will prevent the camera from taking pictures in low light and will result in a poor time-lapse video. Make sure that nothing accidentally gets in front of the camera during this step (heads, arms, lifts, etc.).

4 ACTIVATE THE CAMERA

Call the iBEAM Support Team at **800.403.0688** to place your camera in Active Mode.

Your camera will not save pictures until this step is completed.

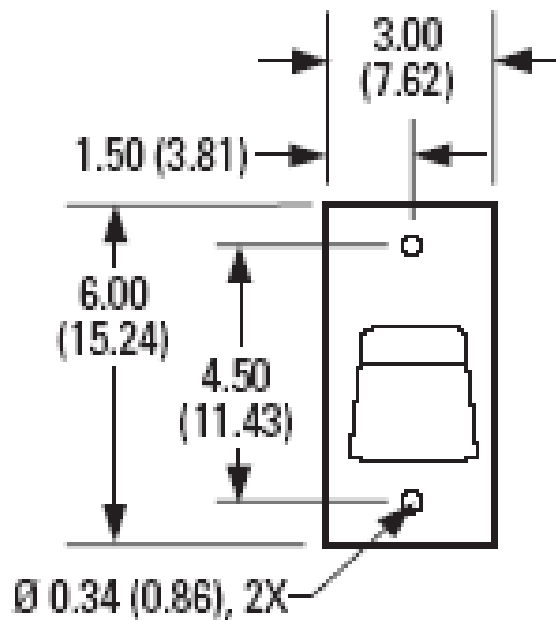
iBEAM[®] Construction Cameras
www.ibeamsystems.com

Questions? Call 800-403-0688.

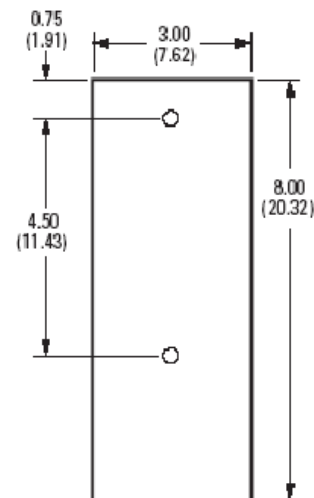
iBEAM[®] Time-Lapse Pro[™] Installation Guide



WALL-MOUNT BRACKET



POLE-MOUNT ADAPTER
FOR 2" - 8" POLE
(INCLUDED)



VALUES IN PARENTHESIS ARE CENTIMETERS. ALL OTHERS ARE INCHES.
NOT TO SCALE.